

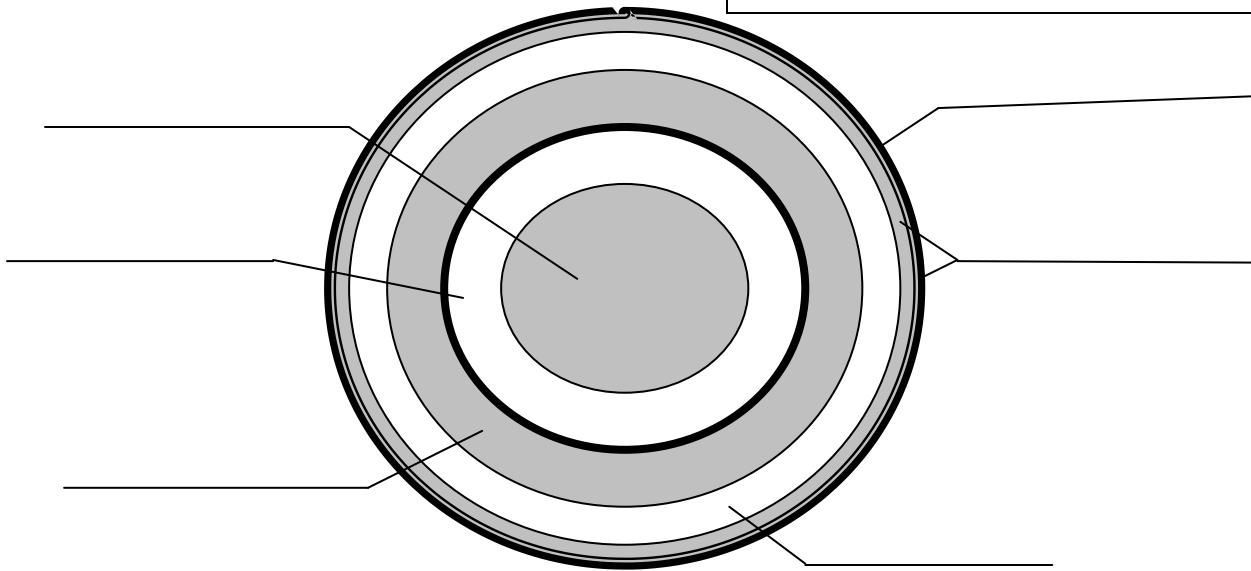
Inside Earth and Heat Transfer Review

Name: _____

Date: _____

Period: _____

Directions: Label the layers inside the Earth.



Directions: Fill in the blanks with the best word(s) to complete the statements below.

- 1) The _____ is the thickest of the three main layers.
- 2) The _____ is the thinnest of the three main layers.
- 3) _____ crust is denser than _____ crust.
- 4) The _____ is the “weak” layer of the mantle.
- 5) The _____ is the only liquid layer.
- 6) _____ crust mainly consists of basalt.
- 7) The crust is thinnest under _____.
- 8) The _____ is responsible for the Earth’s magnetic field.
- 9) Convection currents in the _____ (one of the three main layers) are responsible for the movement of the Earth’s tectonic plates.
- 10) There are three trends that increase as you go deeper into the Earth:
 - 1) _____
 - 2) _____
 - 3) _____

- 11) Heat always travels from _____ things to _____ things.
- 12) _____ is heat transfer from one object to another when the two objects touch.
- 13) _____ is heat transfer through space when two things do not need to touch.
- 14) _____ is heat transfer through the currents of a liquid.
- 15) The heating vents in a car that warm you up in the winter are an example of _____.
- 16) The boiling water in a pot on the stove is an example of _____.
- 17) Ironing a pair of wrinkled pants is an example of _____.
- 18) Inside Earth, the heat source for convection is the _____.

Directions: Explain what is happening in each of the six steps below.

- 1) Particles at bottom _____.
- 2) Particles become _____ dense.
- 3) Particles _____.
- 4) The particles _____.
- 5) Particles become _____ dense.
- 6) Particles _____.

