

WHAT IS MATTER?

MATTER IS
EVERYTHING!

EXCEPT.... ENERGY!!

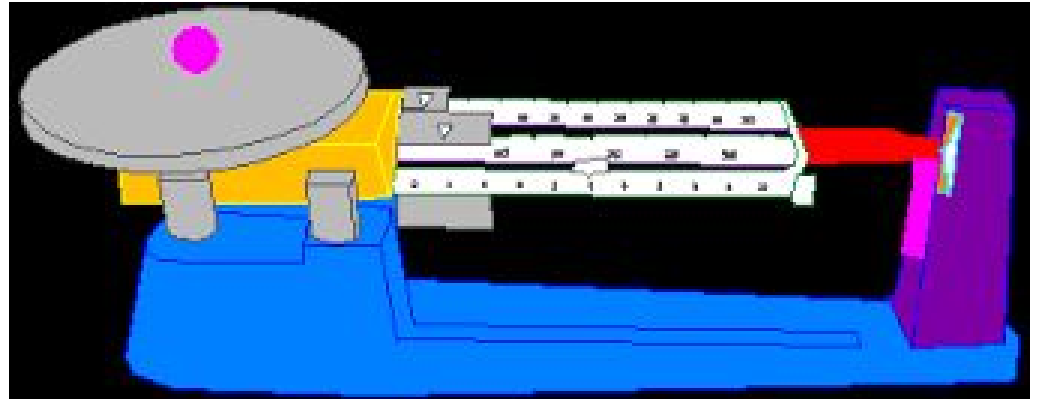


*Sophisticated 'Spongebob
Squarepants'. jul 112016. N.p.*

MASS

IS ONE OF THE 4 GENERAL PROPERTIES OF MATTER...

IT IS ONE OF THE 4 MAJOR WAYS WE MEASURE MATTER.



Triple Beam Balance Scale. N.d. Clip Art Bay, n.p.

LET'S START BY DEFINING MASS...

<p>Mass TEXTBOOK DEFINITION (may look up this one up in glossary)</p>	<p>Use the word MASS in a sentence</p>	<p>A PICTURE/DIAGRAM/ SKETCH to show your understanding of MASS</p>
<p>The amount of matter in an object.</p>	<p>What did you say?</p>	<p>What did you draw?</p>

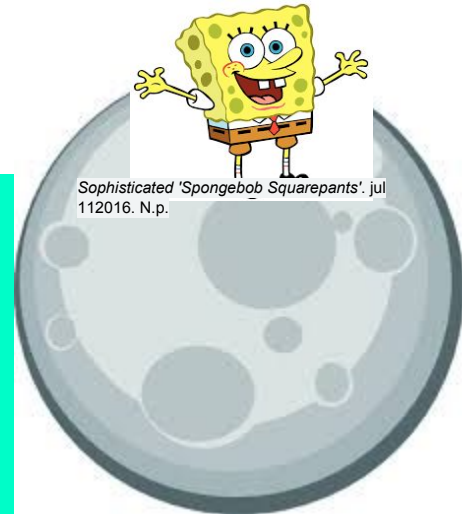
MASS

Questions:

1. Does **mass change** based on location? Yes or no, and **EXPLAIN WHY**.



NO! Even if you change locations, there will always be the same amount of matter.



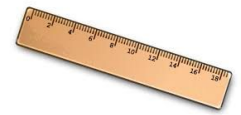


What is a unit?

Something that goes after a number, that tells you what is being measured.

Do you know some examples?

- Seconds, minutes, hours, days
- Pounds (lbs.)
- Inches (in.), centimeters (cm), feet (ft)
- What else?



MASS

2. UNITS of measurement for mass:



Sophisticated 'Spongebob Squarepants'. jul
112016. N.p.

Grams (g.) - for smaller things (books, scissors, etc.)

Kilograms (kg.) - bigger things (people)

MASS

3. The following can't be found in text - what **TOOL** is used to measure mass? You may Google this answer.



Sophisticated 'Spongebob Squarepants'. jul 112016. N.p.

Triple beam balance



610g Ohaus Triple Beam Balance. N.d. Lewis Center.